

The smart choice in self-closing gates

Pedestrian Easy-Gate:



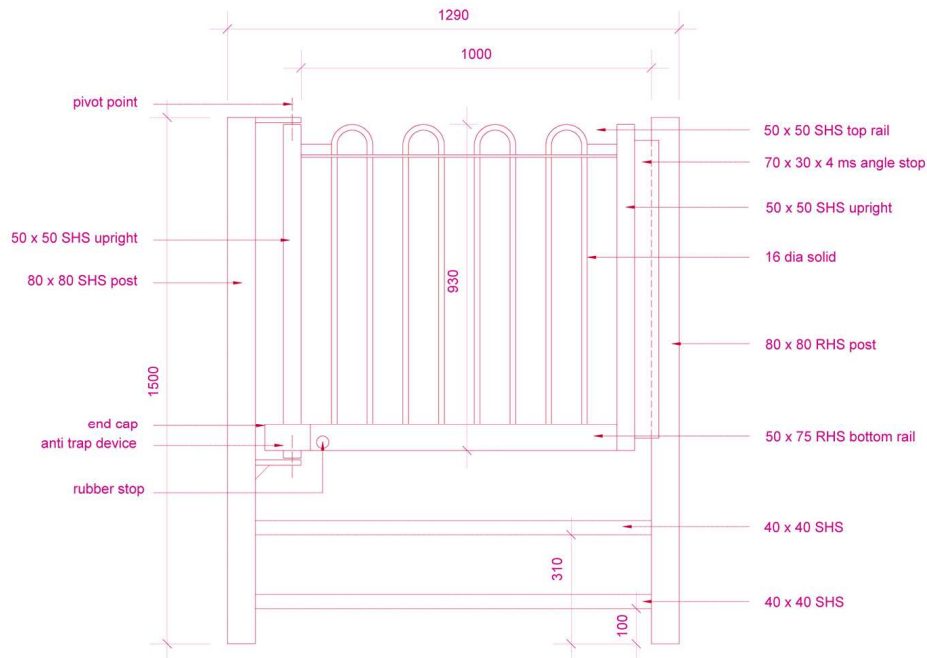
Watrigate Farm, Longwaybank,
Whatstandwell, Matlock, DE4 5HU

Tel: 01629 820985
Fax: 01629 888442
e mail: ward@easy-gate.co.uk
Web: www.easy-gate.co.uk

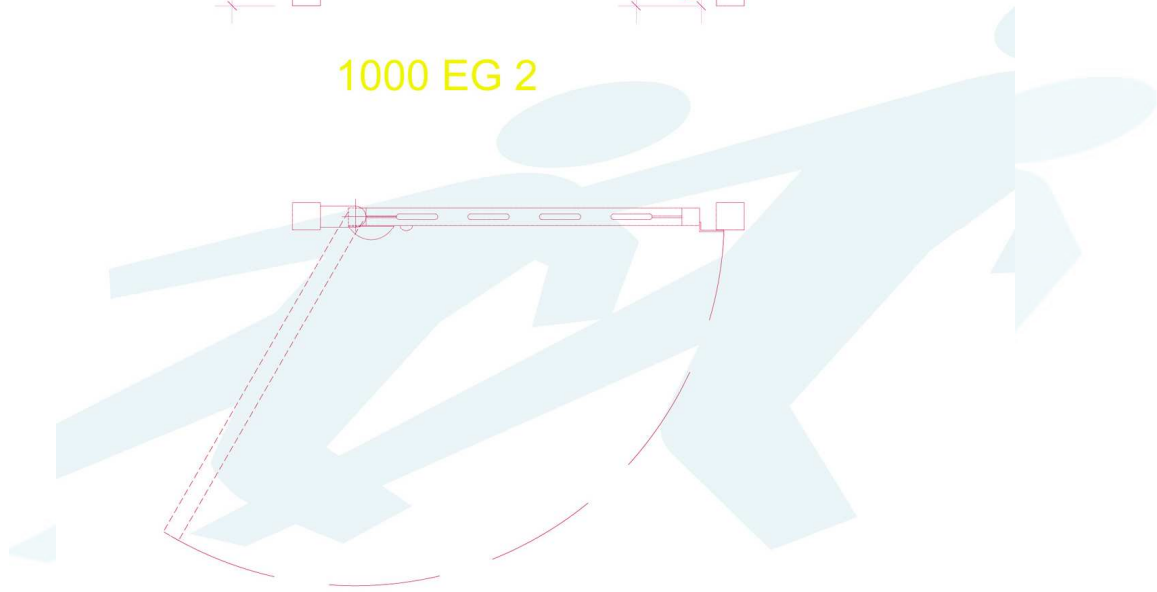
Bow Top Specification Sheet

1000 EG 2

- Safe • Reliable • Quiet



1000 EG 2



Plan